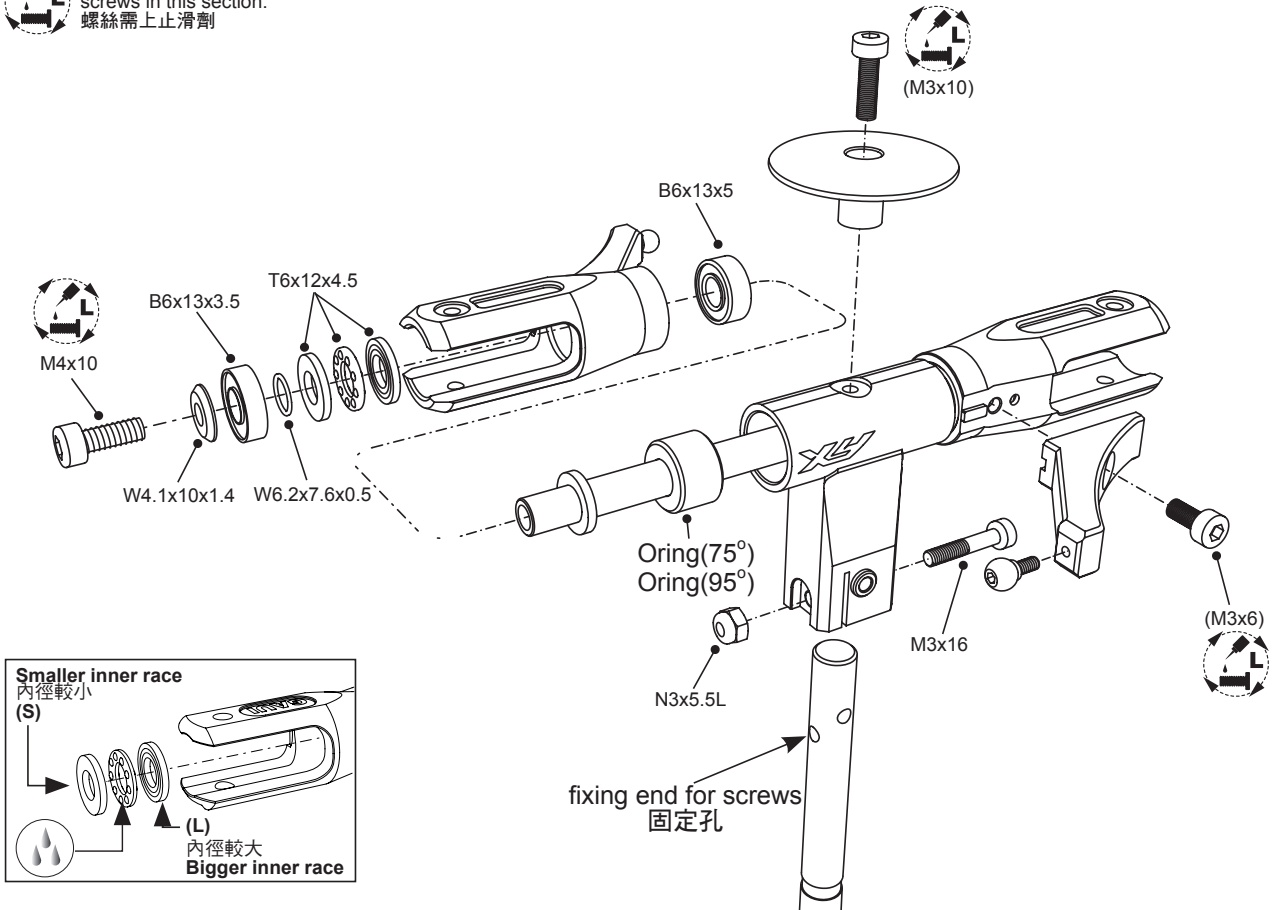




Apply thread lock on all screws in this section.
螺絲需上止滑劑



Apply thread lock on all screws in this section.
螺絲均需上止滑劑

