

螺絲均需上止滑劑
 All Screws on side plates should be applied with thread lock.
 All Screws on side plates should be applied with thread lock.

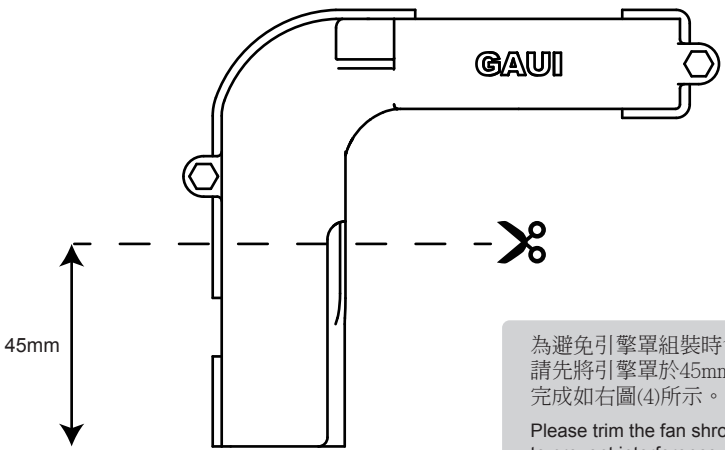
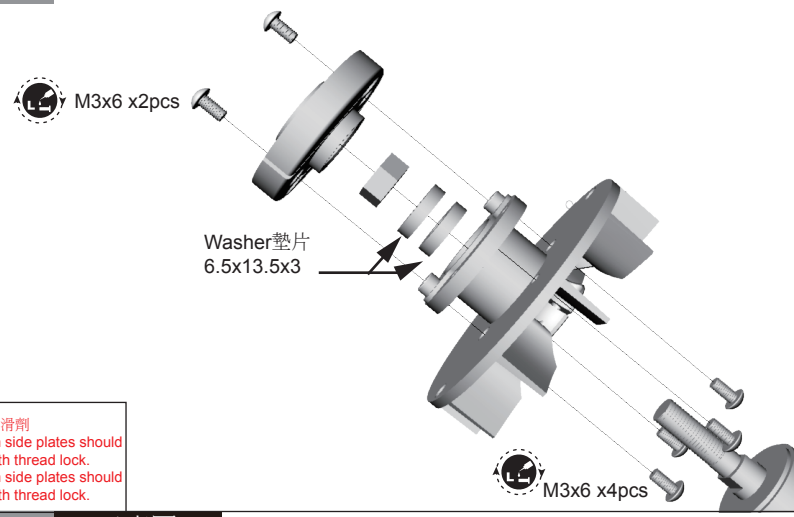


示意圖 illustration



為避免引擎罩組裝時會有干涉的問題，請先將引擎罩於45mm(虛線處)剪開，完成如右圖(4)所示。

Please trim the fan shroud 45mm as the picture shows to prevent interference when assemble it.
 The fan shroud will looks like the illustration 4 on the right side.