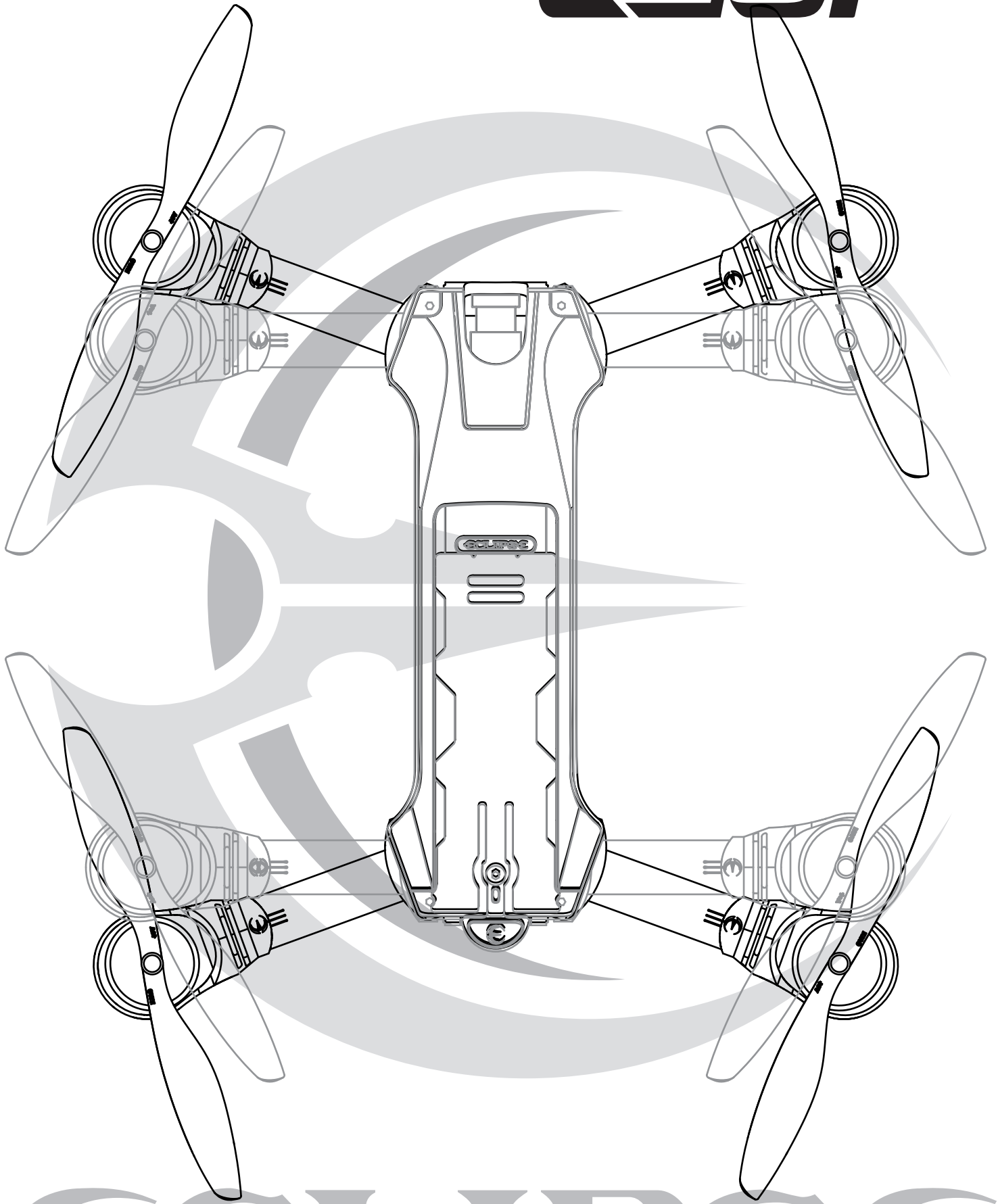


E2BF



ECLIPSE

飛控簡介:

Naze 32 6DOF Flight Controller with 3 axis Gyro, 3 axis Accelerometer. Compatible with BaseFlight or CleanFlight. Factory pre-installed CleanFlight. NAZE32 6DOF 飛控，內置三軸陀螺，三軸加速度。基於開源，此飛控可以刷 baseflight、cleanflight 等開源兼容軟體，出廠設定為 cleanflight 軟體。

Flight Controller Dimensions: 37mm x 37mm x 10.5mm

Weight : 12g

飛控尺寸:37mm x 37mm x 10.5mm

重量:12g

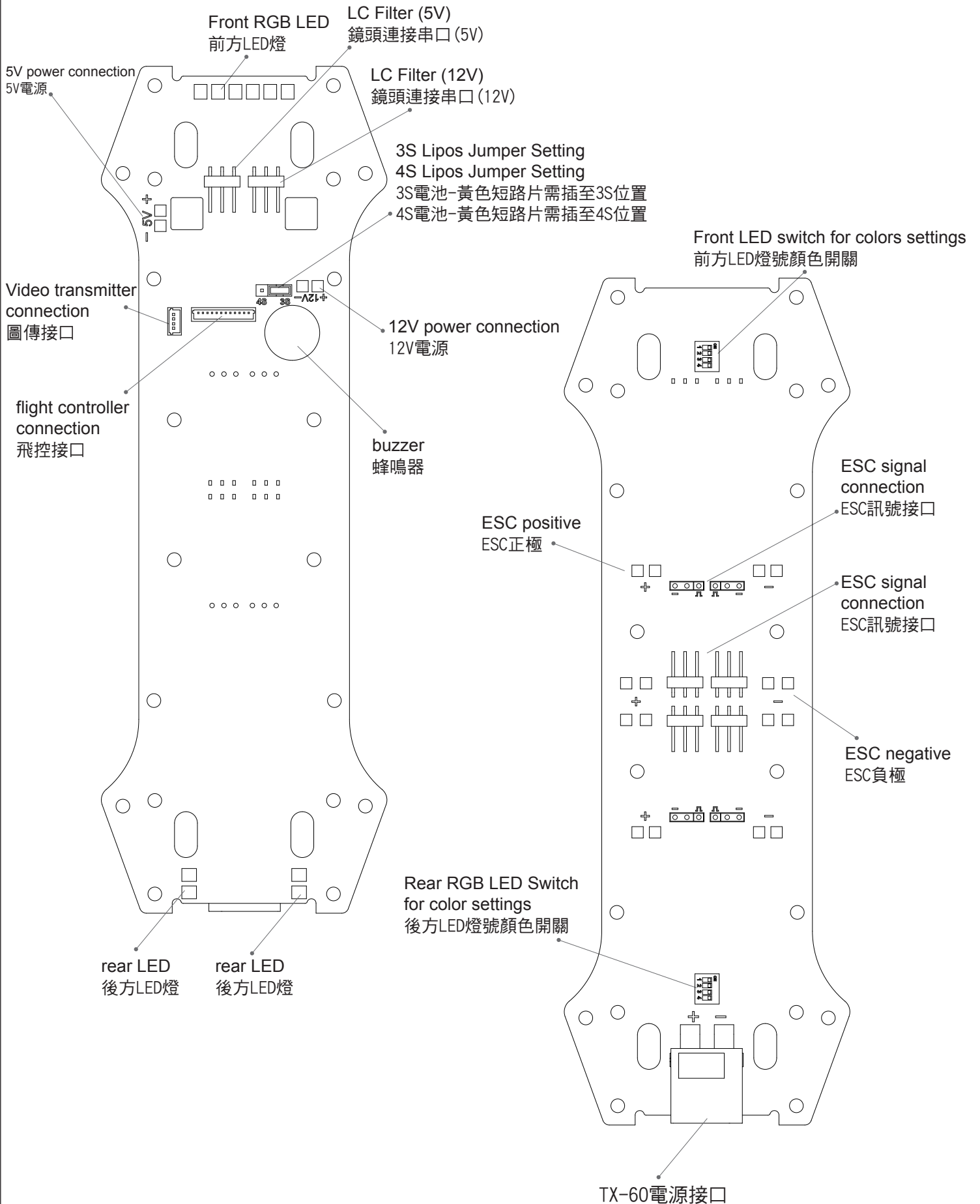
Flight Controller Connectors Illustration:

飛控接口說明:

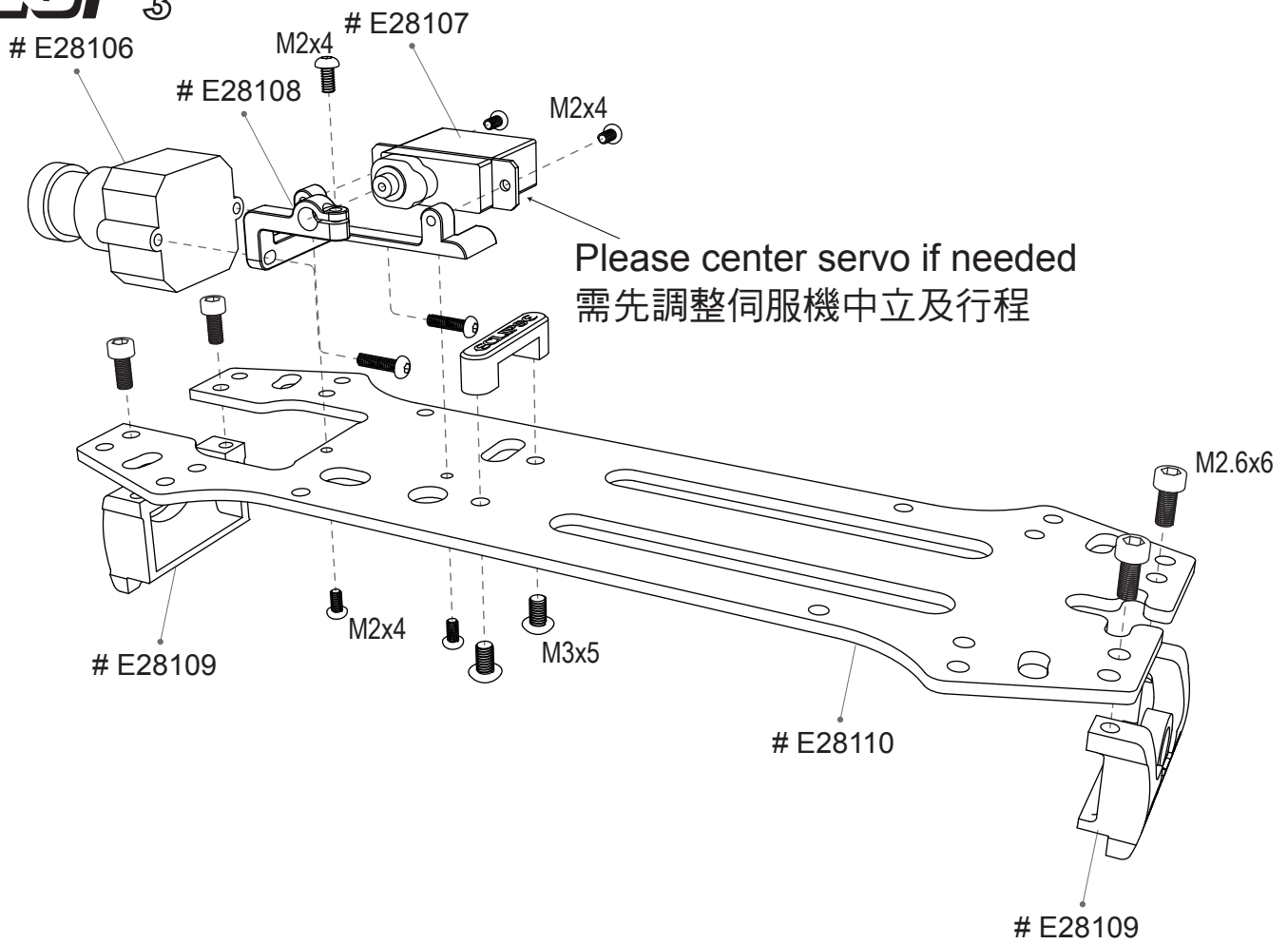


Connection illustration of PCB

電路板接口說明:

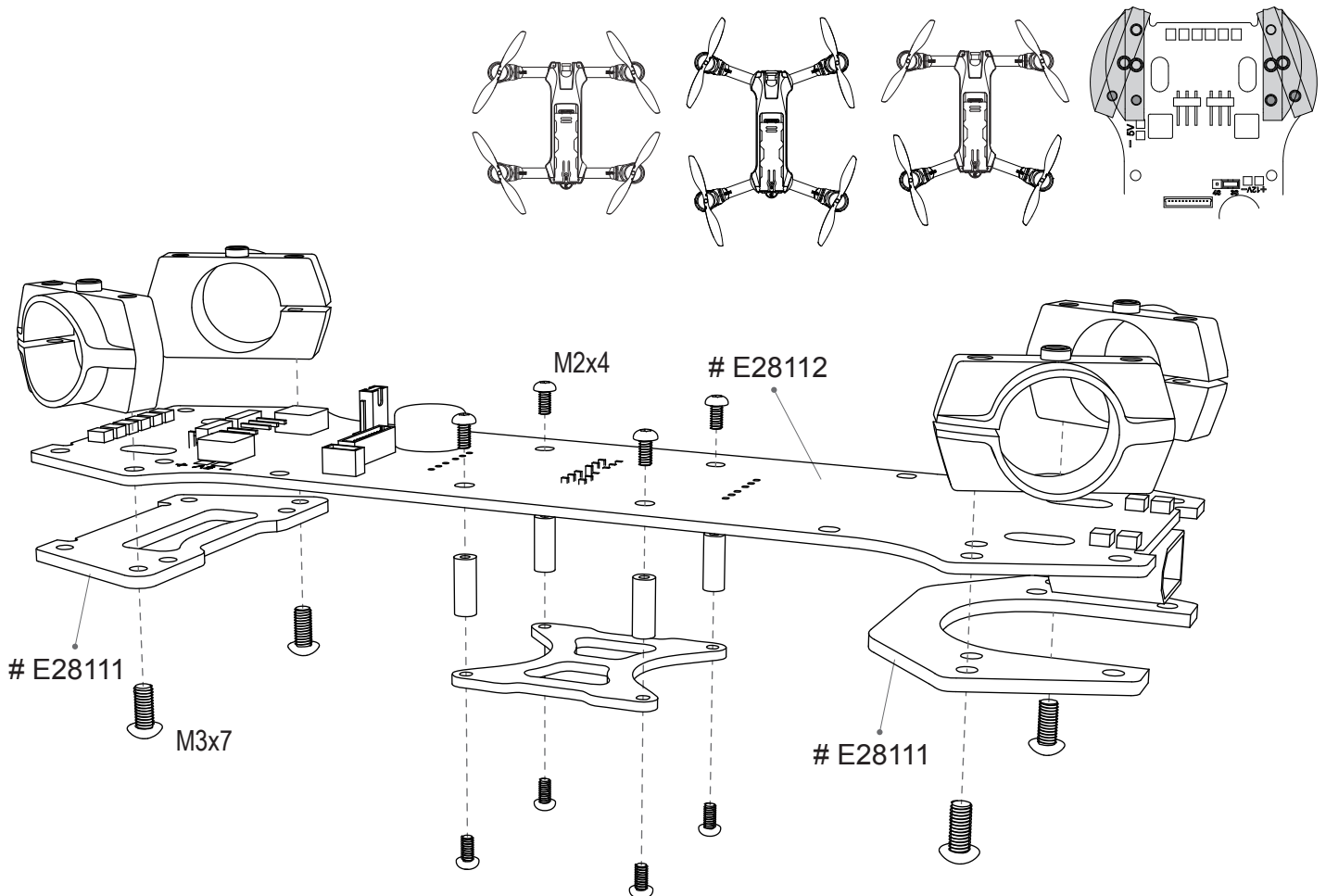


E23F 3

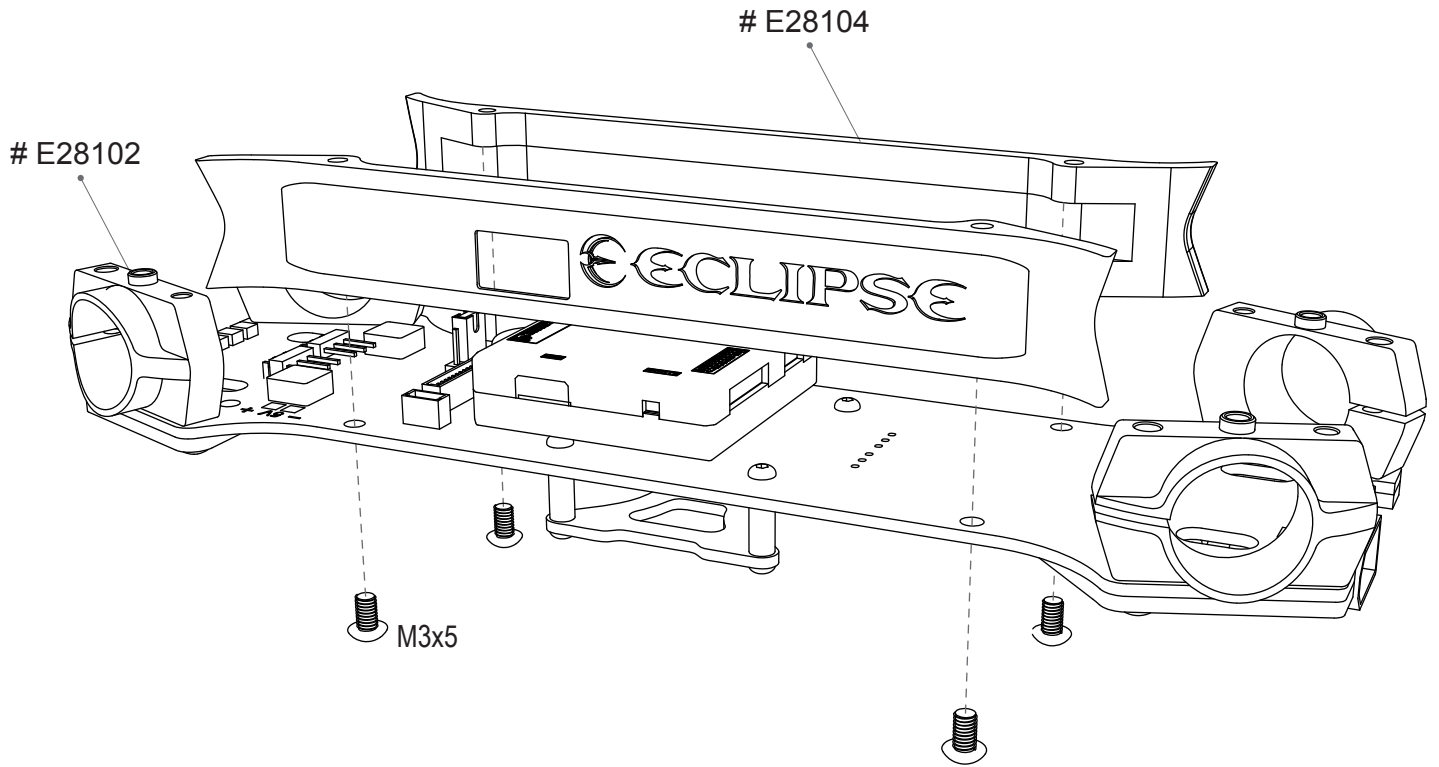


E23F 4

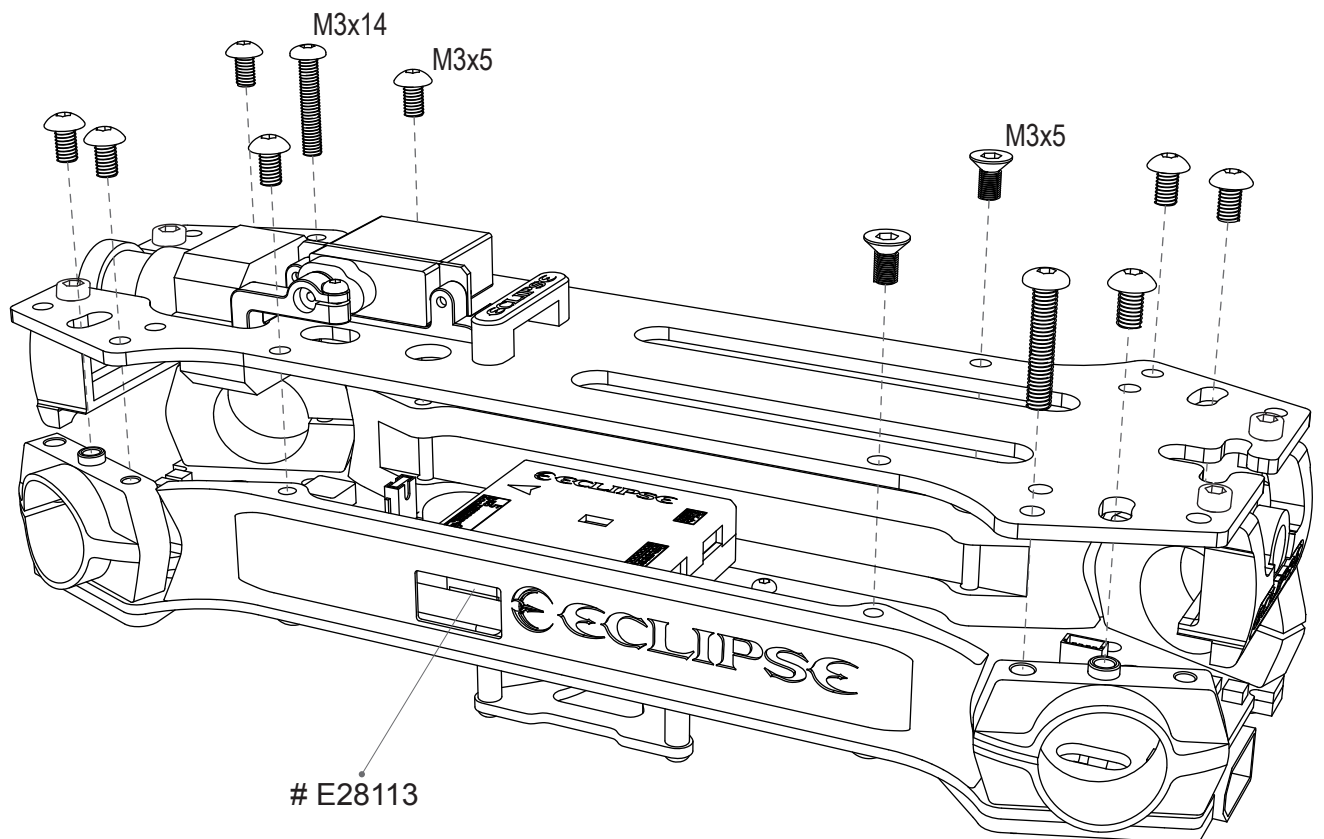
Adjustable Boom Clamp To 3 Different Configurations.
依各種機型選擇管夾組裝方式。



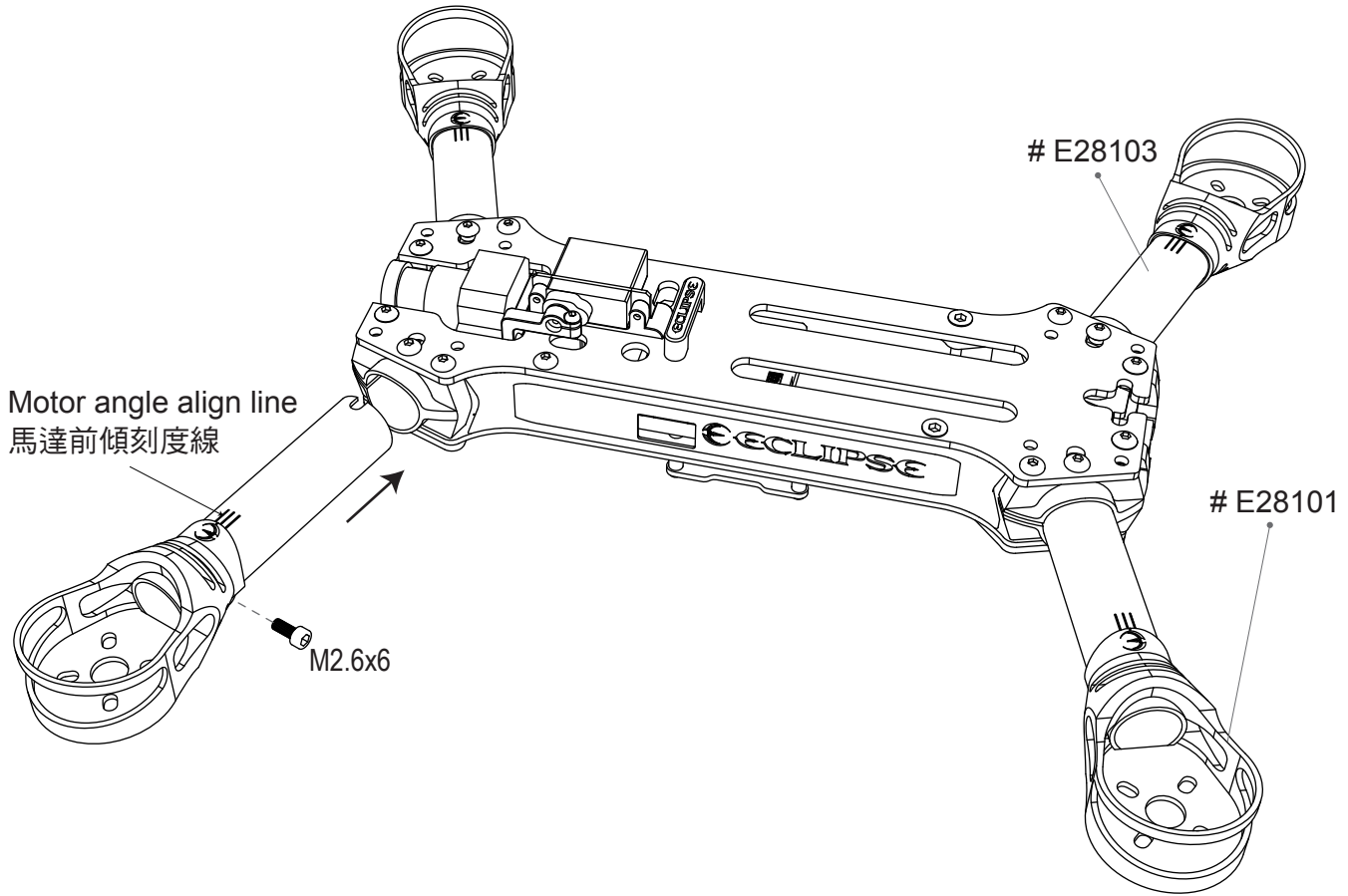
E23F 5



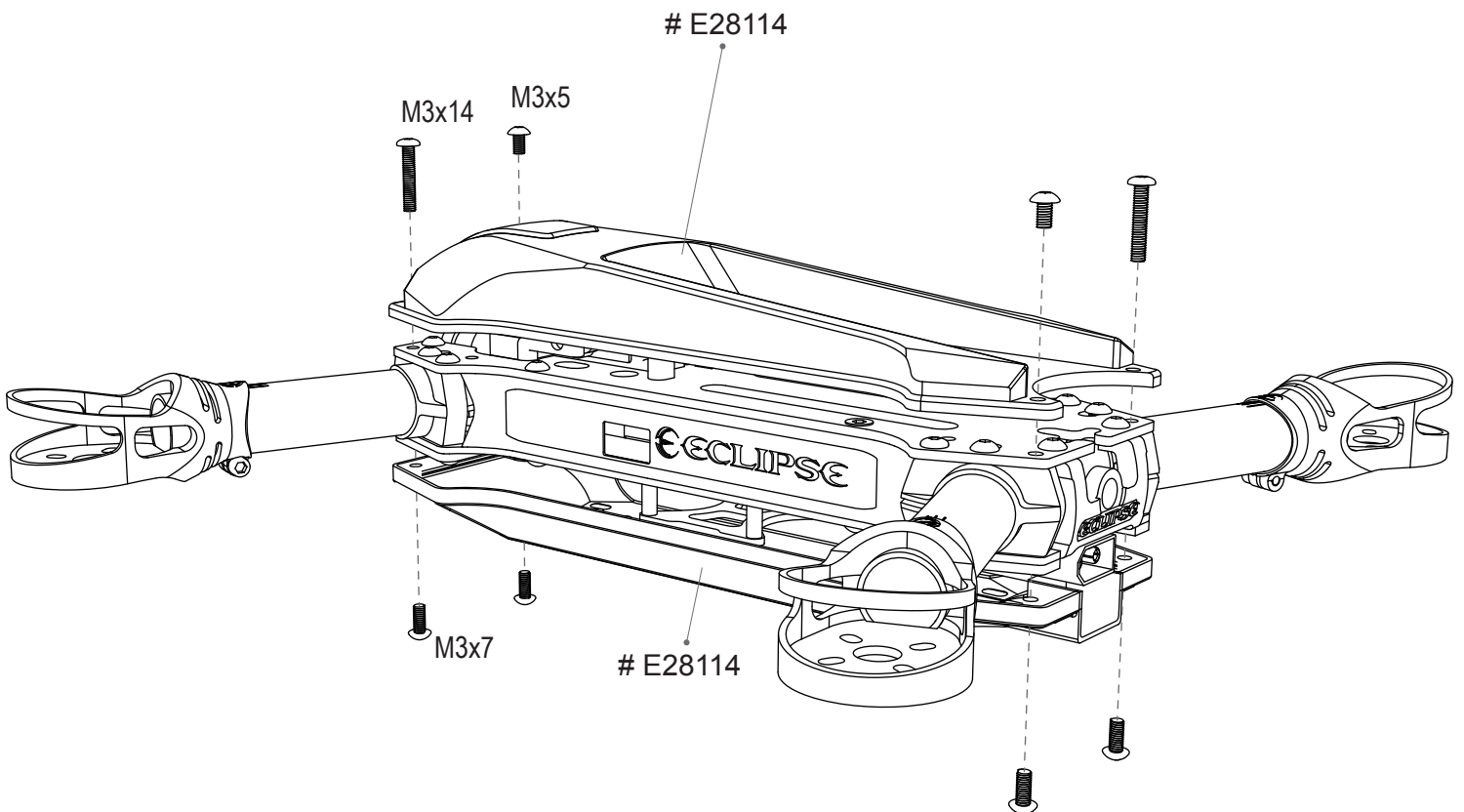
E23F 6



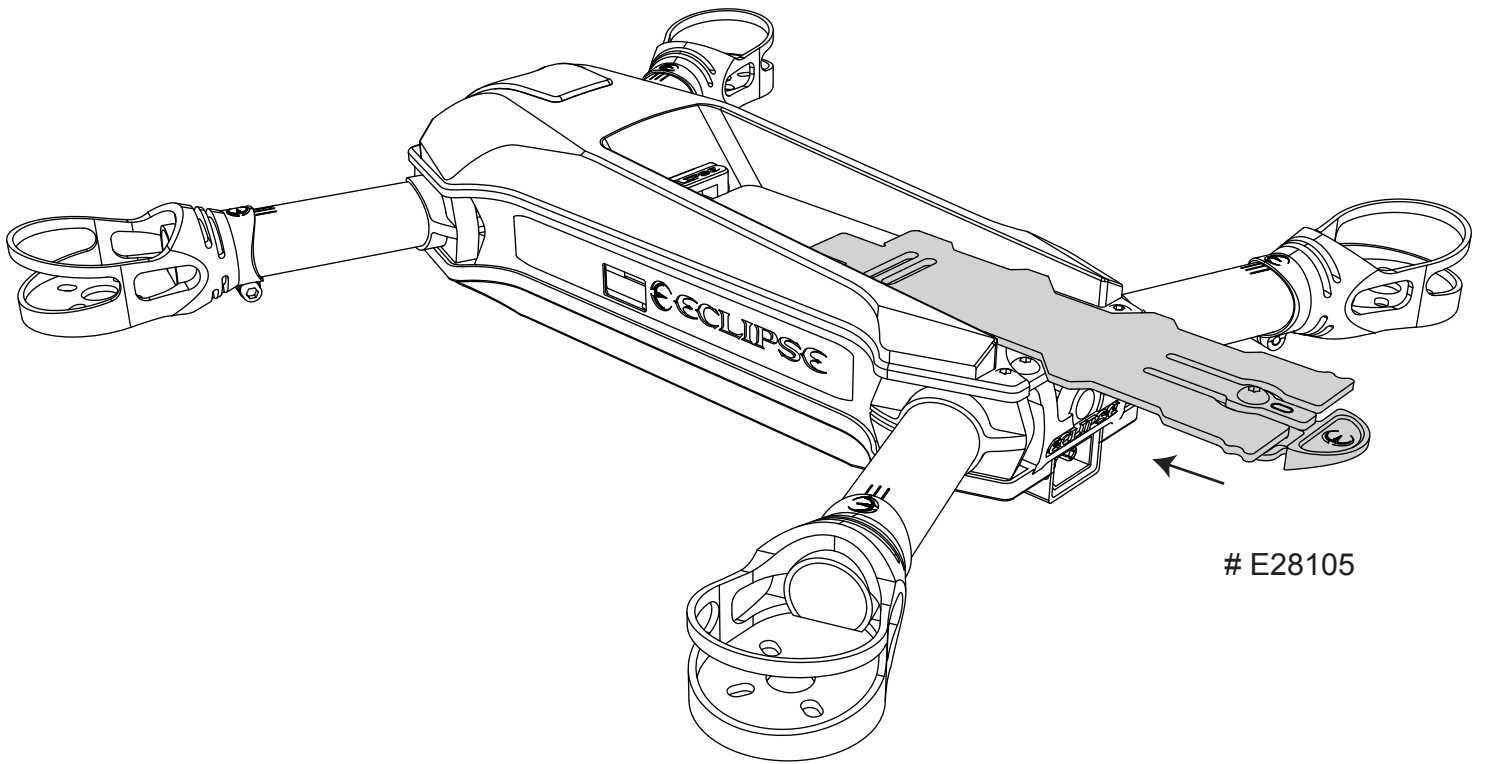
E23F 7



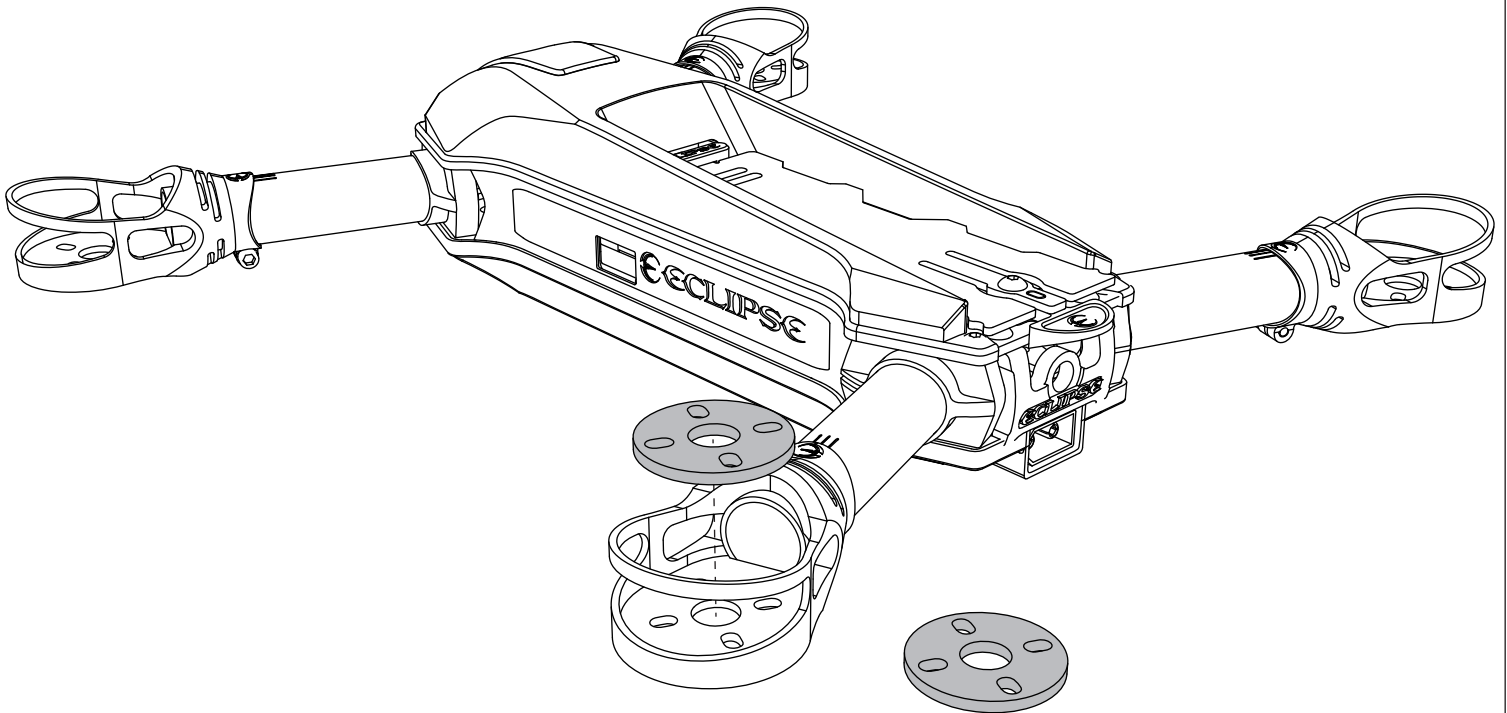
E23F 8



E23F 9



E23F 10



Motor Spacers For Different Motor Sizes And Brands.
依馬達高度取決馬達墊片放置數量。



ECLIPSE