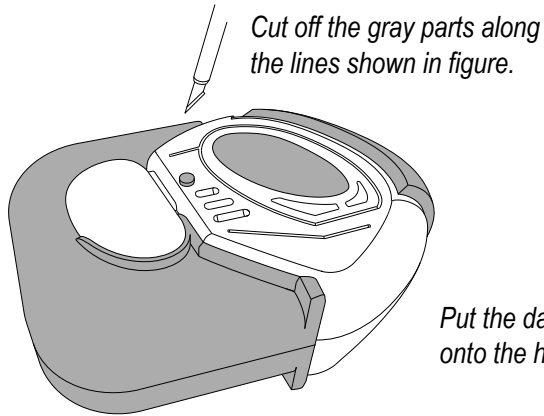
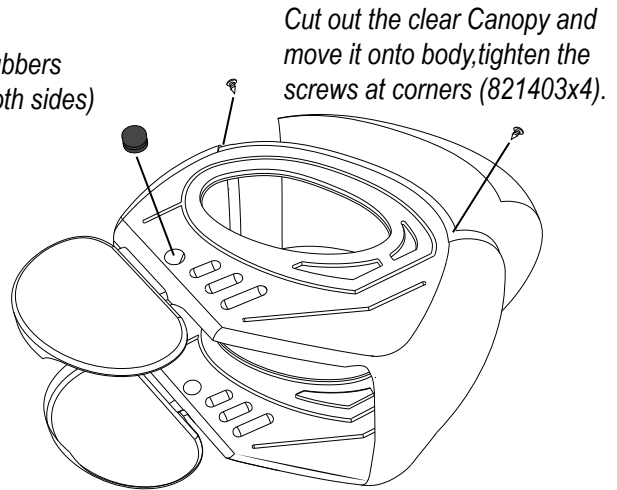


#203521

# Semi Scale Fuselage SC-300

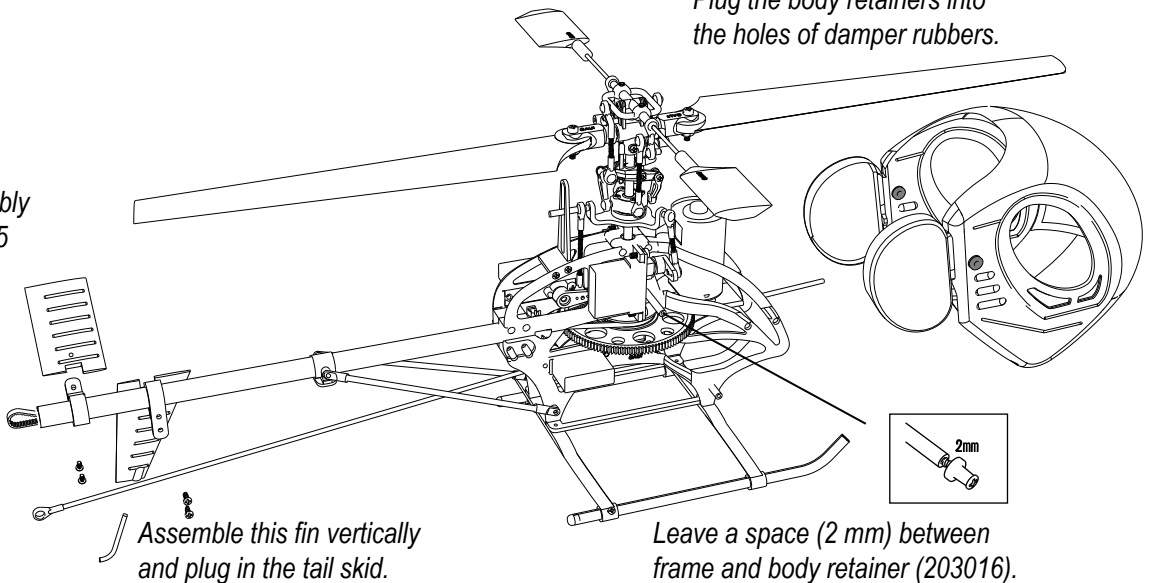
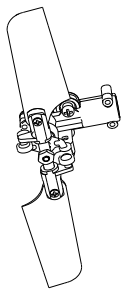


Put the damper rubbers onto the holes. (Both sides)



Plug the body retainers into the holes of damper rubbers.

Remove the tail assembly and set on this fin by 45 degrees from level.



Final Assembly