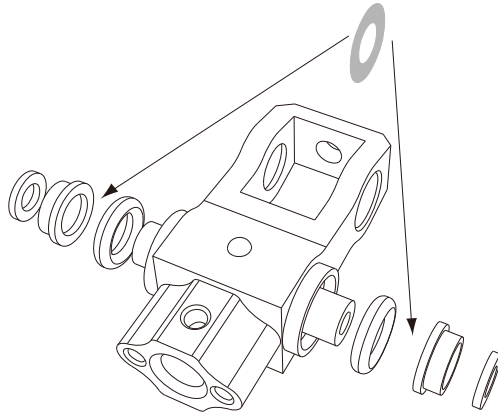


內附貼紙厚度為0.04mm是用來調整橡皮環間隙用的



注意：

橡皮環以沒有間隙及不壓迫為標準，有間隙時打動作瞬間會搖擺一下；但若太緊則會持續搖擺。

After you tighten the screws of grips and spindle shaft, there should be no gap between the O ring and the brass spacer (Both sides of the rotor yoke), if there is a tiny gap between them, attach the stickers (0.04mm thickness) onto the bottom of both spacers to eliminate the gaps.

If there are tiny gaps between them, the heli will be swinging shortly in hovering after recovered from aerobatics, but if it is too tight for the O ring and spacer, the heli will be swinging continuously.