

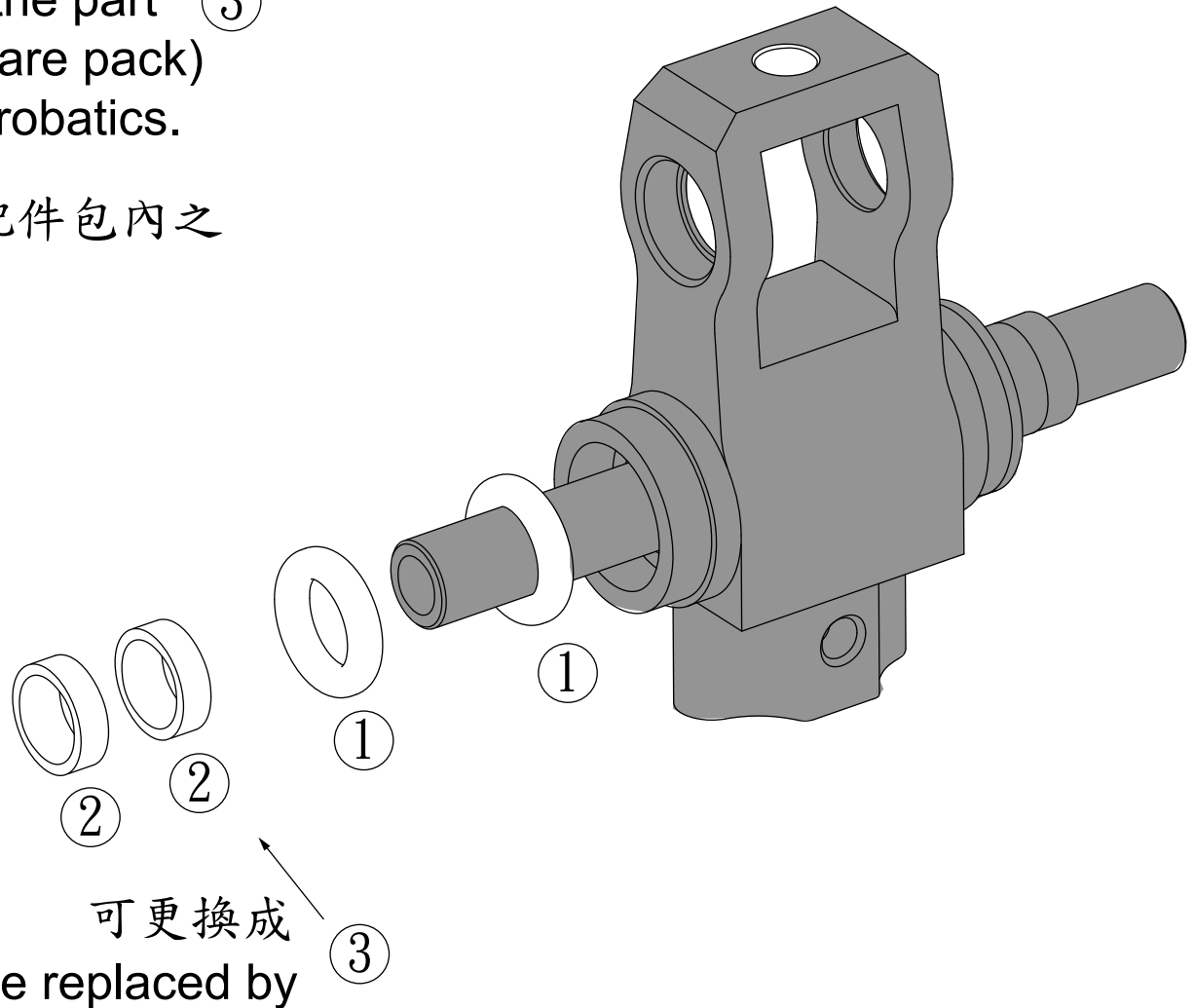
# 颶風 255 CNC附煞車盤主旋翼頭組(鈦色)

## 207001 H255 Main Rotor Yoke with Stop Plate (Titanium anodized)

You may replace the part "②" by the part "③"  
(P3.1x5.5x1.1 which included in spare pack)  
to get the faster response in 3D aerobatics.

3D飛行時可將 "②" 零件換成配件包內之  
"③" 零件以提高3D飛行靈敏度。

①	O ring O型環	O Ring 橫軸O型環
②	P3.1X4.6X1	Tube 柱狀體
③	P3.1X5.5X1.1	Tube 柱狀體



可更換成  
Can be replaced by ③