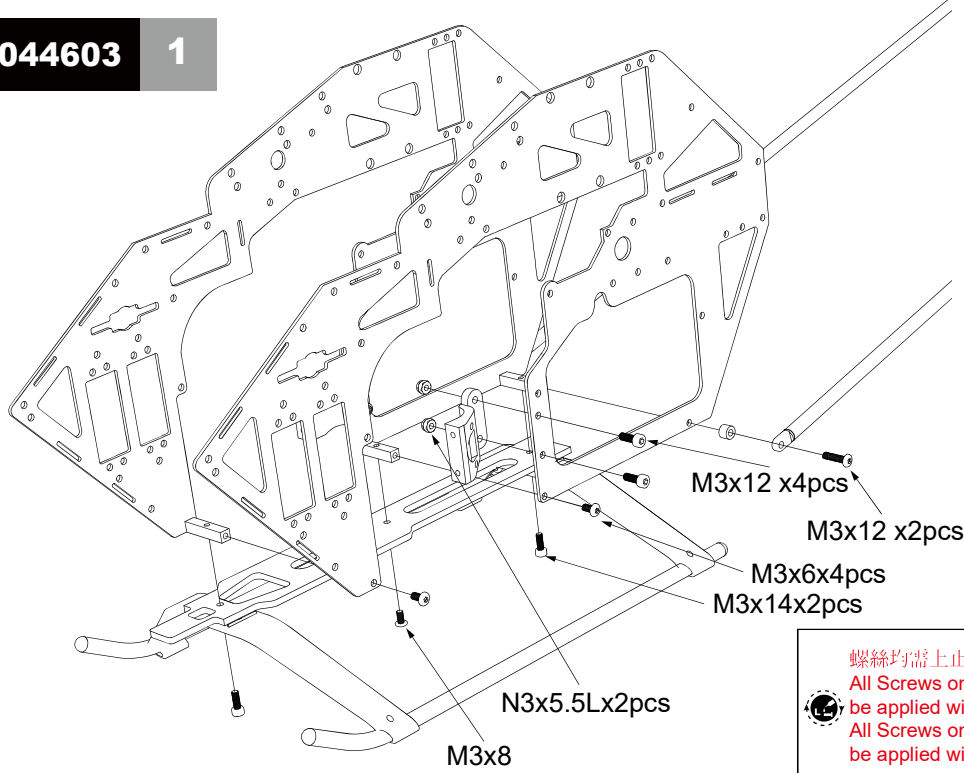


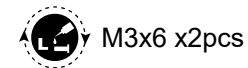
SKU 044603

1



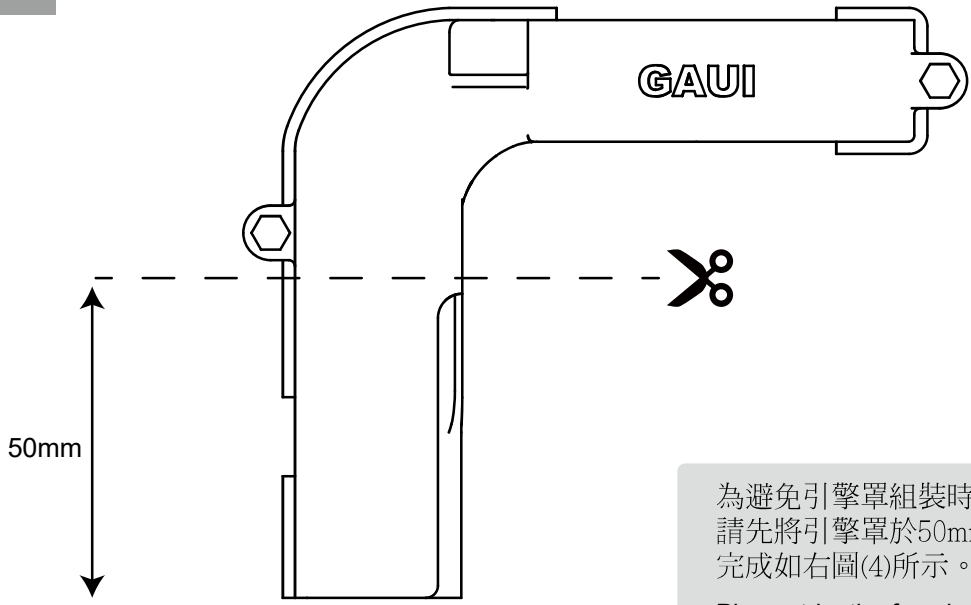
2

Washer 墊片
6.5x13.5x3



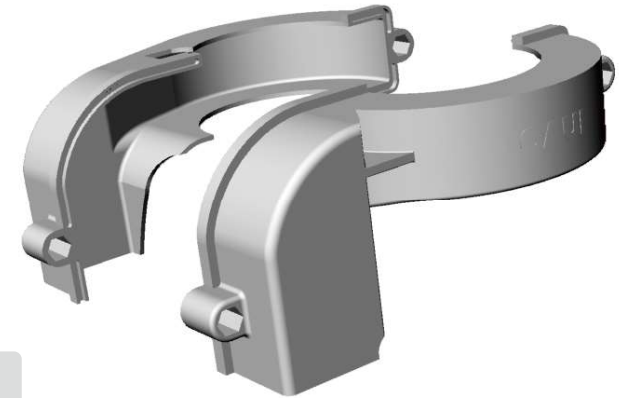
螺絲均需上止滑劑
All Screws on side plates should
be applied with thread lock.
All Screws on side plates should
be applied with thread lock.

3



4

示意圖
illustration



為避免引擎罩組裝時會有干涉的問題，
請先將引擎罩於50mm(虛線處)剪開，
完成如右圖(4)所示。
Please trim the fan shroud 50mm as the picture shows
to prevent interference when assemble it.
The fan shroud will looks like the illustration 4 on the right side.